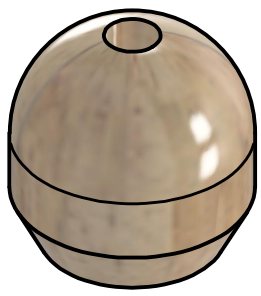


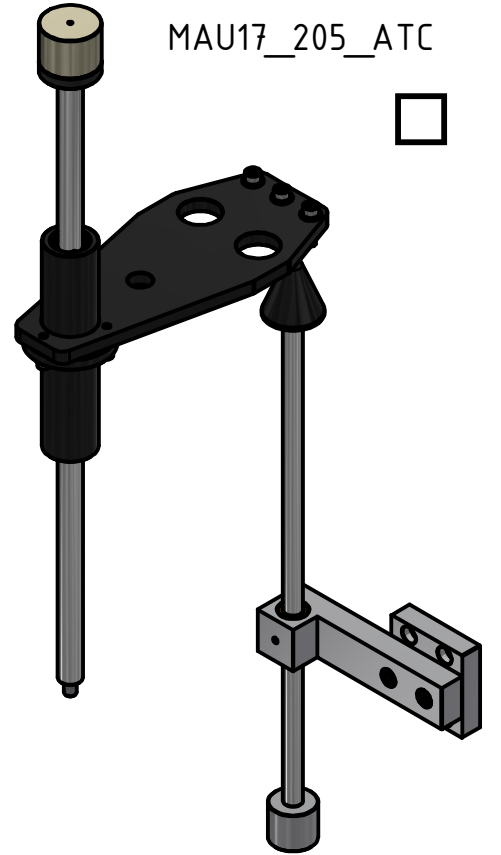
WOOD HEADFORM MTP_136_2W



INSERT
for HEADFORM
MTP_025_2W

HEMISPHERICAL
IMPACTOR R50
MAU_112_2W

CPSC DEVICE
MAU17_205_ATC



FLAT
IMPACTOR Ø130
MAU-113_2W

CONICAL
IMPACTOR
MAU_201_EN+MTP_032_EN

HEADFORM
FLANGE
MAU_116_DOT

HEADFORM
SUPPORT
MAU_211_2W

CLAMP for
SUPPORT
SCSPJ50-18

KISTLER
UPPER
SUPPORT
MAU_123_2W

KISTLER
LOAD CELL
9041C

KISTLER
LOWER
SUPPORT
MAU_122_2W

HEADFORM
DISC
MTP_225_DOT-02

HEADFORM
SHAFT
MTP_225_DOT-01

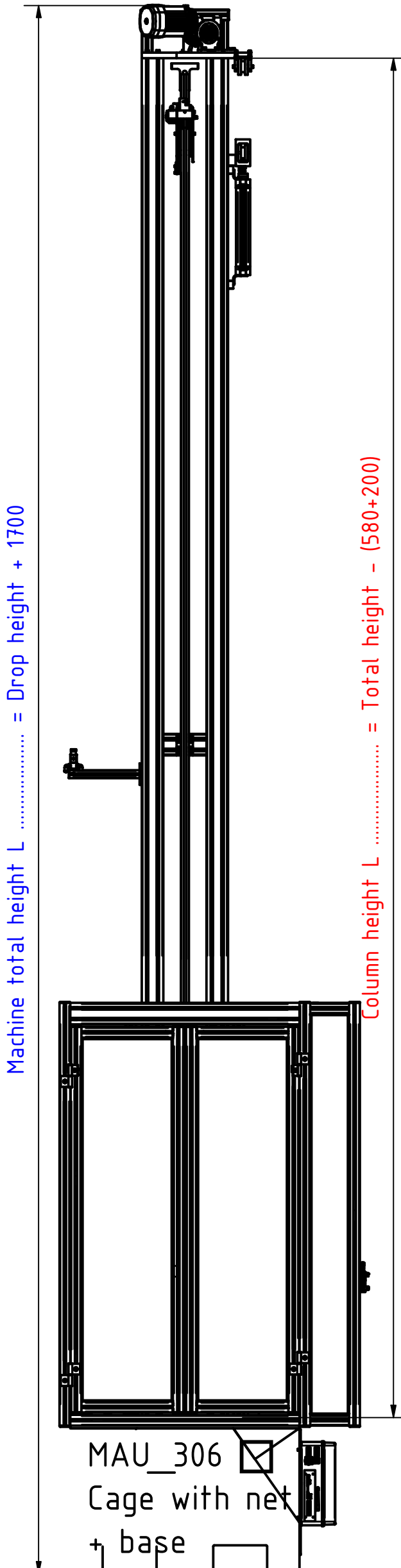
INSULATING
FLANGE
MTP_226_DOT

SHORT
SUPPORT
MAU_037_DOT350

BASE FOR
SUPPORT
CE_015_A_PIB-NEW350

Machine total height L = Drop height + 1700

Column height L = Total height - (580+200)



MAU_306
Cage with net
+ base

	Sheet: 6	Note: TESTO	Note: TESTO
		Note: TESTO	Note: TESTO
Tolleranze generali ISO 2768-m			
Tolleranze generali lineari			
> 0.5	> 8	> 30	> 120
...8	...30	...120	...400
± 0.1	± 0.2	± 0.3	± 0.5
> 400	> 1000	> 2000	> 4000
...1000	...2000	...3000	...4000
± 0.8	± 1.2	± 2	± 3
Tolleranze generali angolari			
> 10°	> 10°	> 50°	> 120°
...10°	...50°	...120°	...120°
± 1°	± 30°	± 20°	± 10°
Description: MAU 1006		Data: 13/09/2019	
Scale: 1 : 18		Weight Kg: N/A	
Material:		Treatment:	
		Via Sottomurata n.1 6934 Bioggio tel.: +41(0)91 6001315 fax: +41 (0)91 6001316 info@gtmsa.ch	
Drawing nr.: MAU_1006_H5K_STD-DTS		Rev. 0	

This drawing contains information confidential. Any reproduction, disclosure or use of this drawing is expressly prohibited without the prior written consent to GTM & Systems SA